

#4  
BEP  
9/2/02

85A 3169

IN THE UNITED STATES PATENT AND TRADEMARK OFFICE

In re application of:

KOJI SATO ✓

Serial No.: 09/998,467 ✓

Filed: November 29, 2001 ✓

For: A SEMICONDUCTOR DEVICE  
HAVING BUMPS (As Amended) ✓

Art Unit: 2822

Examiner: Monica Lewis

FAX COPY RECEIVED

SEP 19 2002

TECHNOLOGY CENTER 2800

LETTER TO THE CHIEF DRAFTSMAN

Commissioner for Patents  
Washington, D.C. 20231

Dear Sir:

Please amend the drawings in connection with the above-identified application as indicated in the attached prints. In particular, label Figs. 7-10 as prior art.

Respectfully submitted,

KODA & ANDROLIA



William L. Androlia  
Reg. No. 27,177

Dated: September 19, 2002

2029 Century Park East  
Suite 3850  
Los Angeles, CA 90067-3024  
Tel: (310) 277-1391  
Fax: (310) 277-4118

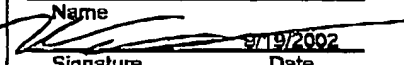
Certificate of Transmission	
I hereby certify that this correspondence is being facsimile transmitted to the Patent and Trademark Office Fax No. (703) 308-7722 on <u>September 19, 2002.</u>	
<u>William L. Androlia</u>	
Name	
	<u>9/19/2002</u>
Signature	Date

FIG. 6

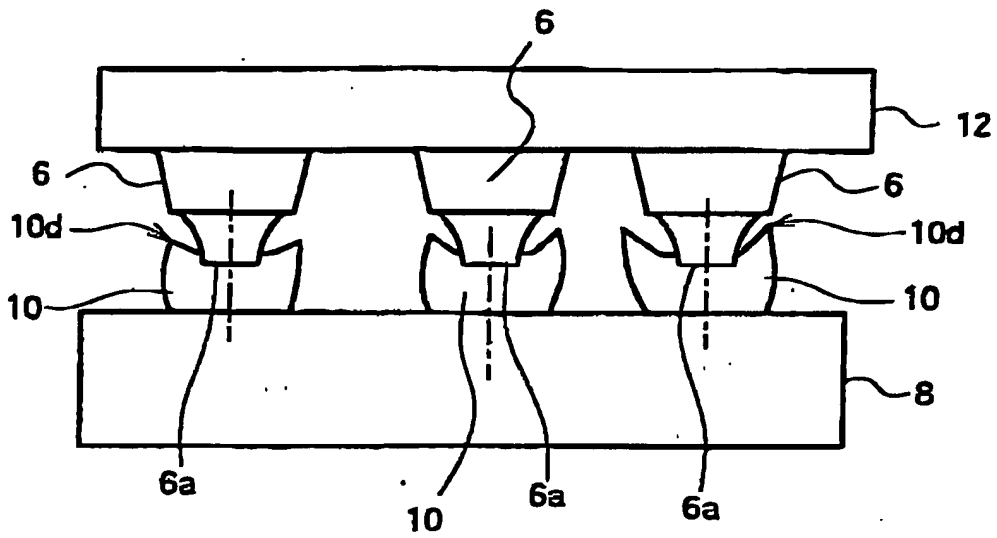
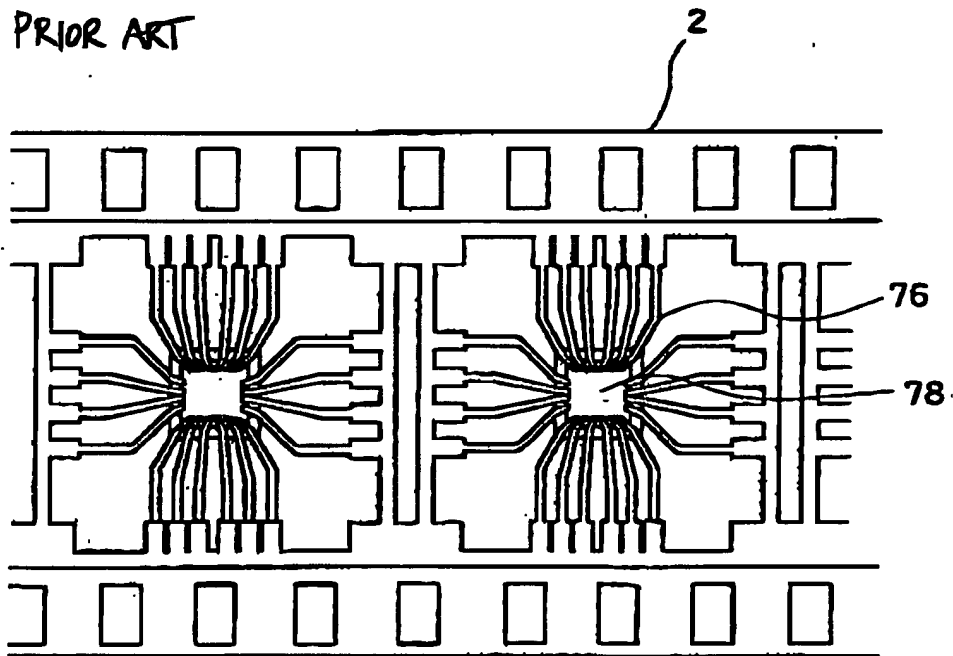
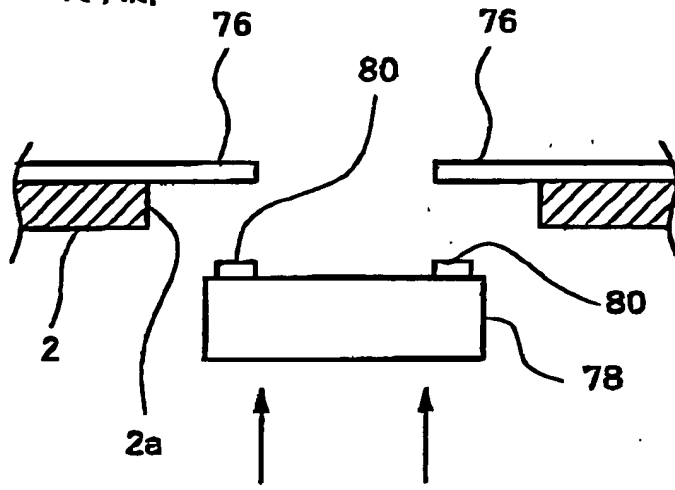


FIG. 7

PRIOR ART



**FIG. 8**  
PRIOR ART



**FIG. 9**  
PRIOR ART

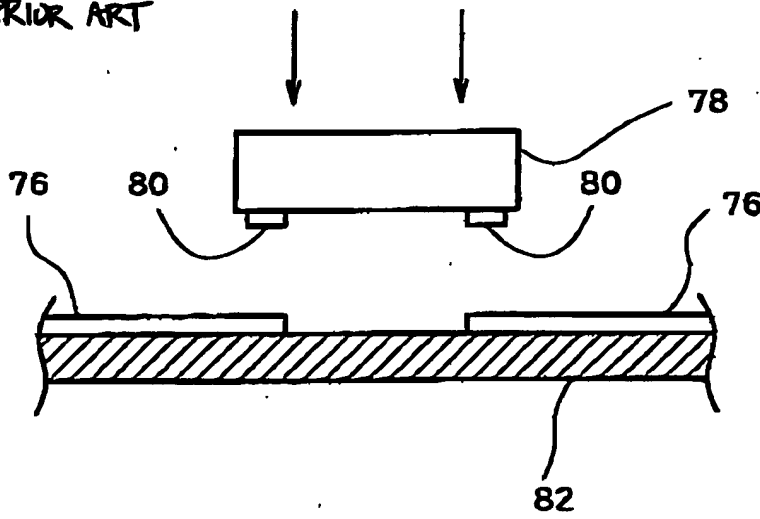


FIG. 10  
PRIOR ART

